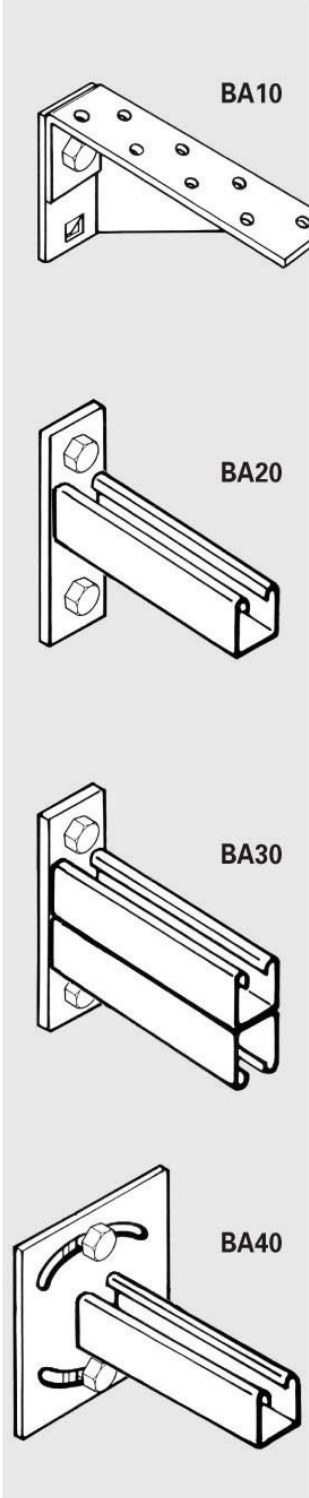




**CANTILEVER BRACKETS**



| Ref. No. | Length 'A'<br>mm | UDL<br>kg | Weight<br>kg |
|----------|------------------|-----------|--------------|
| BA10     | 165              | 160       | 0.35         |
|          | 250              | 135       | 0.55         |
|          | 315              | 130       | 0.80         |
|          | 465              | 130       | 1.15         |
|          | 615              | 90        | 1.75         |
| BA20     | 165              | 460       | 1.00         |
|          | 250              | 235       | 1.40         |
|          | 315              | 160       | 1.75         |
|          | 465              | 120       | 2.20         |
|          | 615              | 90        | 2.70         |
| BA30     | 165              | 1220      | 1.80         |
|          | 250              | 650       | 3.30         |
|          | 315              | 445       | 4.20         |
|          | 465              | 340       | 5.10         |
|          | 615              | 270       | 6.00         |
| BA40     | 165              | 480       | 1.90         |
|          | 250              | 240       | 2.30         |
|          | 315              | 150       | 2.70         |
|          | 465              | 120       | 3.15         |
|          | 615              | 90        | 3.60         |
| BA50     | 165              | 480       | 0.80         |
|          | 250              | 240       | 1.30         |
|          | 315              | 150       | 1.75         |
|          | 465              | 120       | 2.10         |
|          | 615              | 90        | 2.55         |
| BA60     | 165              | 850       | 0.90         |
|          | 250              | 515       | 1.35         |
|          | 315              | 310       | 1.75         |
|          | 465              | 190       | 2.15         |
|          | 615              | 90        | 2.70         |
| BA70     | 165              | 480       | 0.80         |
|          | 250              | 240       | 1.25         |
|          | 315              | 160       | 1.55         |
|          | 465              | 120       | 2.20         |
|          | 615              | 90        | 2.75         |
| BA80     | 350              | 440       | 2.90         |
|          | 500              | 310       | 3.30         |
|          | 650              | 250       | 3.80         |
|          | 800              | 190       | 4.20         |
|          | 950              | 160       | 4.80         |

