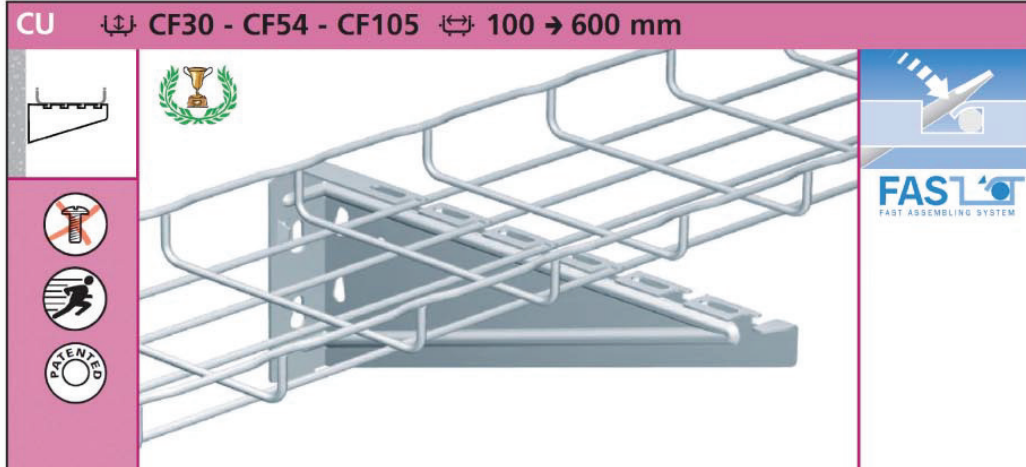




# CABLOFIL CABLE MANAGEMENT




## BRACKETS AND SUPPORTS

**CABLOFIL**  
INNOVATORS IN CABLE MANAGEMENT

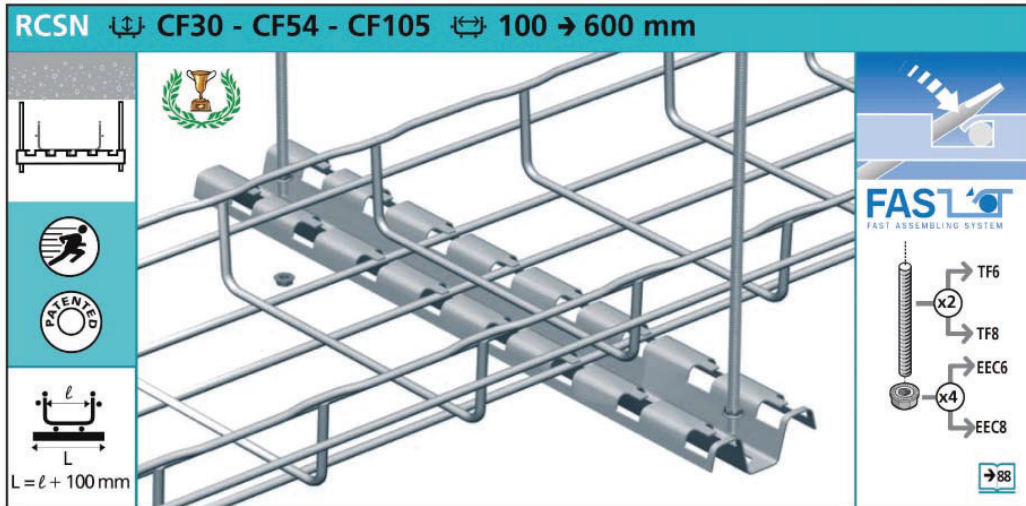
**CU**  $\downarrow \uparrow$  CF30 - CF54 - CF105  $\leftarrow \rightarrow$  100  $\rightarrow$  600 mm










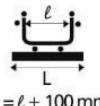




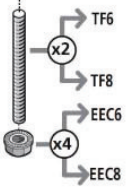
**RCSN**  $\downarrow \uparrow$  CF30 - CF54 - CF105  $\leftarrow \rightarrow$  100  $\rightarrow$  600 mm







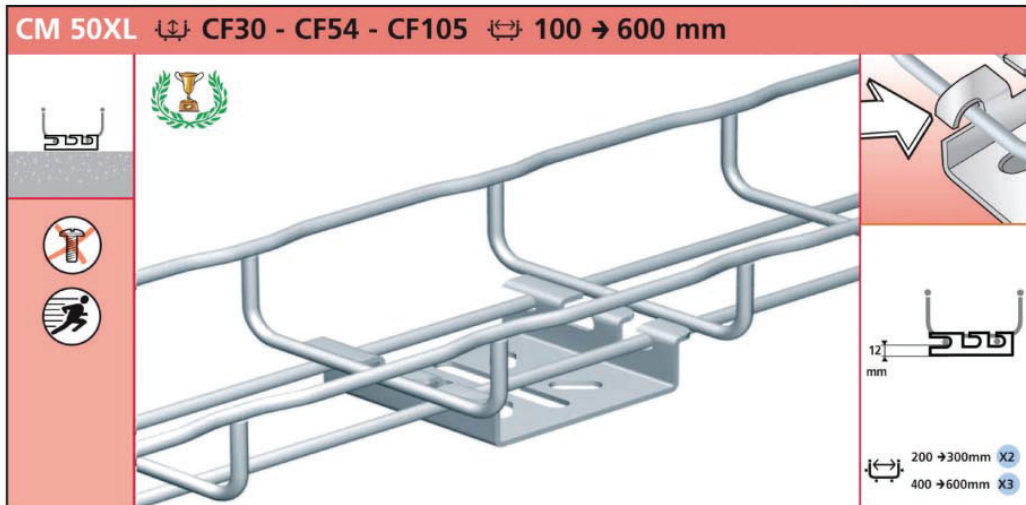

 $L = \ell + 100 \text{ mm}$


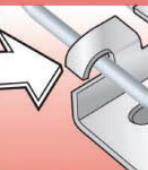




- TF6
- TF8
- EEC6
- EEC8




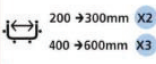
**CM 50XL**  $\downarrow \uparrow$  CF30 - CF54 - CF105  $\leftarrow \rightarrow$  100  $\rightarrow$  600 mm




 $12 \text{ mm}$



- $\leftarrow \rightarrow$  200  $\rightarrow$  300mm X2
- $\leftarrow \rightarrow$  400  $\rightarrow$  600mm X3